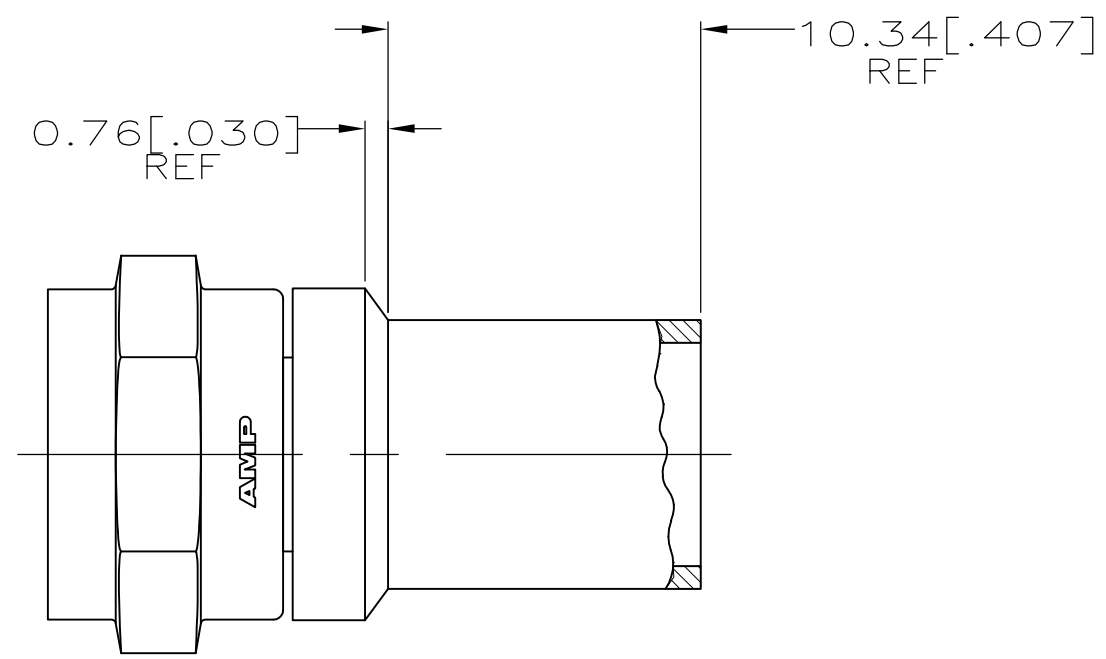


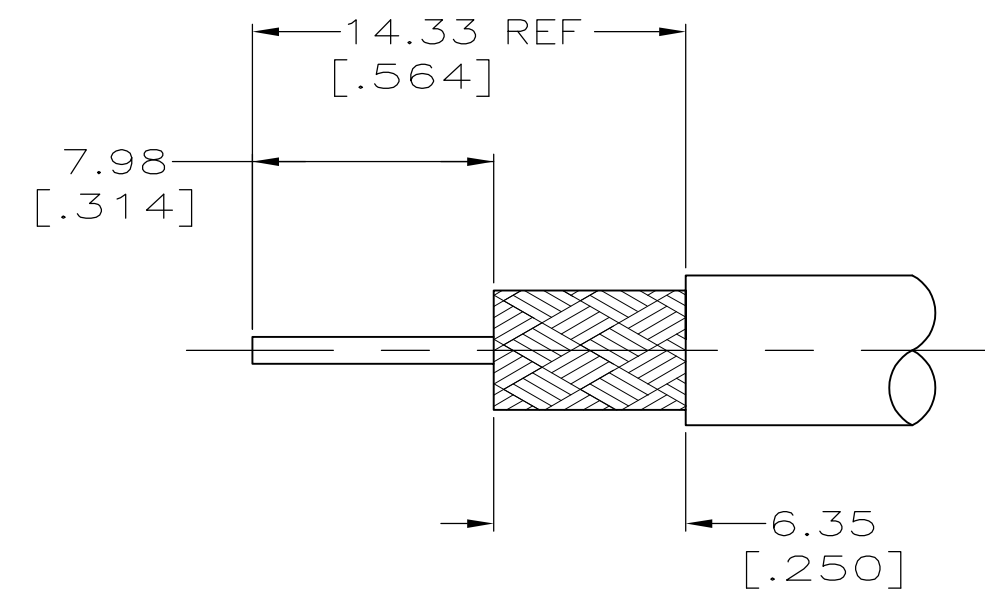
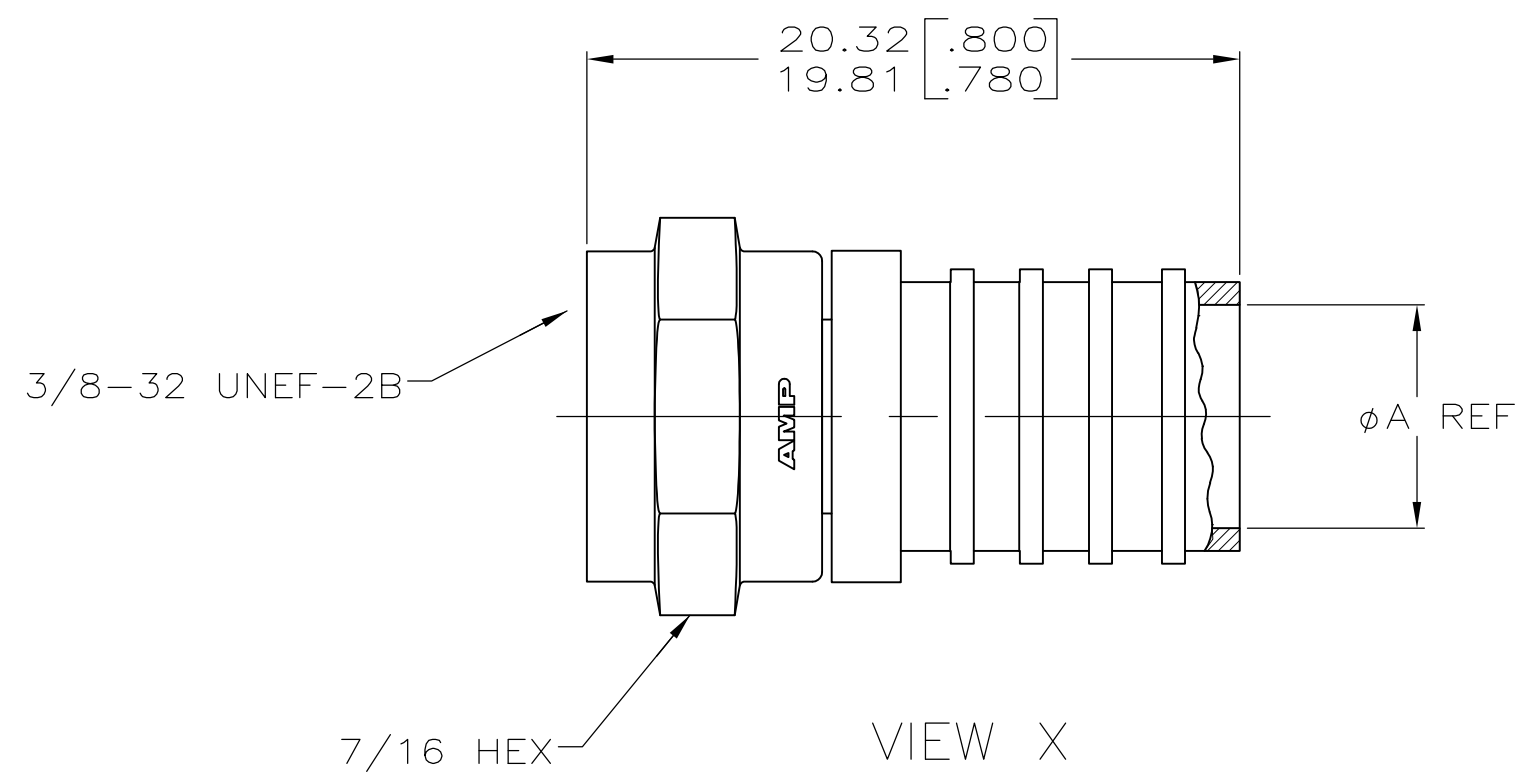
THIS DRAWING IS UNPUBLISHED. RELEASED FOR PUBLICATION
 © COPYRIGHT 2005 BY TYCO ELECTRONICS CORPORATION. ALL RIGHTS RESERVED.

LOC	DIST	REVISIONS					
		P	LTR	DESCRIPTION	DATE	DWN	APVD
AJ	16		J	REVISED PER EC 0514-0457-04	18NOV05	TS	DRD
			J1	REVISED PER ECO-09-021510	12SEP09	KK	AEG



VIEW Y
 SAME AS VIEW X
 EXCEPT AS SHOWN

- 1 BRASS PER QQ-B-626.
- 2 NICKEL PER QQ-N-290.
- 3 FOR USE WITH BELDEN 9104(RG-59 TYPE) CABLE.
- 4 FOR USE WITH RG-6/U CABLE.
- 5 FOR USE WITH BELDEN 9100 CABLE.
- 6 CHROMATE OVER ZINC PER ASTM B 633
- 7 FOR USE WITH RG-59/U CABLE.
- 8 58425-3, 58436-2 OR 58621-2
- 9 58622-2
- 10. SEE I.S. 408-9221
- 11 OBSOLETE PARTS: OBSOLETE CIS STREAMLINING PER D.RENAUD/D.SINISI



RECOMMENDED STRIP LENGTH

SUPSD BY 414766-8	X	8.00 [.315]	6	8	8.23 [.324]	7	1-414766-0
	X	8.00 [.315]	2	8	8.23 [.324]	7	414766-8
SUPSE BY 414766-5	X	7.37 [.290]	6	8	8.23 [.324]	3	414766-6
	X	7.37 [.290]	2	8	8.23 [.324]	3	414766-5
OBSOLETE	-Y	8.38 [.330]	2	8	8.23 [.324]	4	414766-2
11 OBSOLETE	-X	7.37 [.290]	2	9	7.75 [.305]	5	414766-1
VIEW		phi A	FINISH	PRO-CRIMPER DIE SET	CRIMP HEX	CABLE	PART NUMBER

THIS DRAWING IS A CONTROLLED DOCUMENT.		DWN	12MAR96	Tyco Electronics Corporation Harrisburg, PA 17105-3608			
DIMENSIONS: mm [INCHES]		CHK	12MAR96	NAME PLUG, COAXIAL, F SERIES			
TOLERANCES UNLESS OTHERWISE SPECIFIED:		APVD	12MAR96	SIZE			
0 PLC ± -		PRODUCT SPEC		CAGE CODE	DRAWING NO	RESTRICTED TO	
1 PLC ± -		APPLICATION SPEC		00779	C=414766	-	
2 PLC ± 0.41[016]				SCALE	SHEET	REV	
3 PLC ± -				4:1	1 of 1	J1	
4 PLC ± -				CUSTOMER DRAWING			
ANGLES ± -							
FINISH							